

# GRAS 26CF

1/2" CCP Preamplicifier with  
BNC Connector, Gain and  
Filters



Freq range: 2.5 Hz - 200 kHz

Noise: 1.8  $\mu$ V Gain: -0.25 / +20 dB

Special feature: 0/20 dB gain, A-weighting  
and HP filters

The GRAS 1/2-inch Preamplifier GRAS 26CF is a general purpose preamplifier optimized for use with prepolarized condenser microphones. It is a small, robust unit and uses a GRAS CCP power supply, e.g. GRAS 12AL. It has low inherent noise level, a large dynamic range and a frequency response from 2.5 Hz to 100 kHz.

## Gain and filter switch settings

There are two flush-mounted switches for selecting various combinations of gain and filtering, i.e.:

### Gain switch settings:

- 0 dB - for normal microphone signals.
- +20 dB - for boosting weak microphone signals.

### Filter switch settings:

- A-Weighting - as required in standard measurements. Linear - to let the microphone signal pass unfiltered.
- High-pass - to cut off unwanted low frequencies.

Its small ceramic thick-film substrate has a very high input impedance, and is shielded by a guard ring to minimise the influence of stray capacitance and microphonic interference.

The GRAS 26CF can be used with all GRAS prepolarized microphones, namely:

- 1/2-inch microphones: GRAS 40AE, 40AD and 40AQ
- 1/4-inch microphones: GRAS 40BE and 40BD, using the optional 1/2-inch to 1/4-inch adaptor RA0019

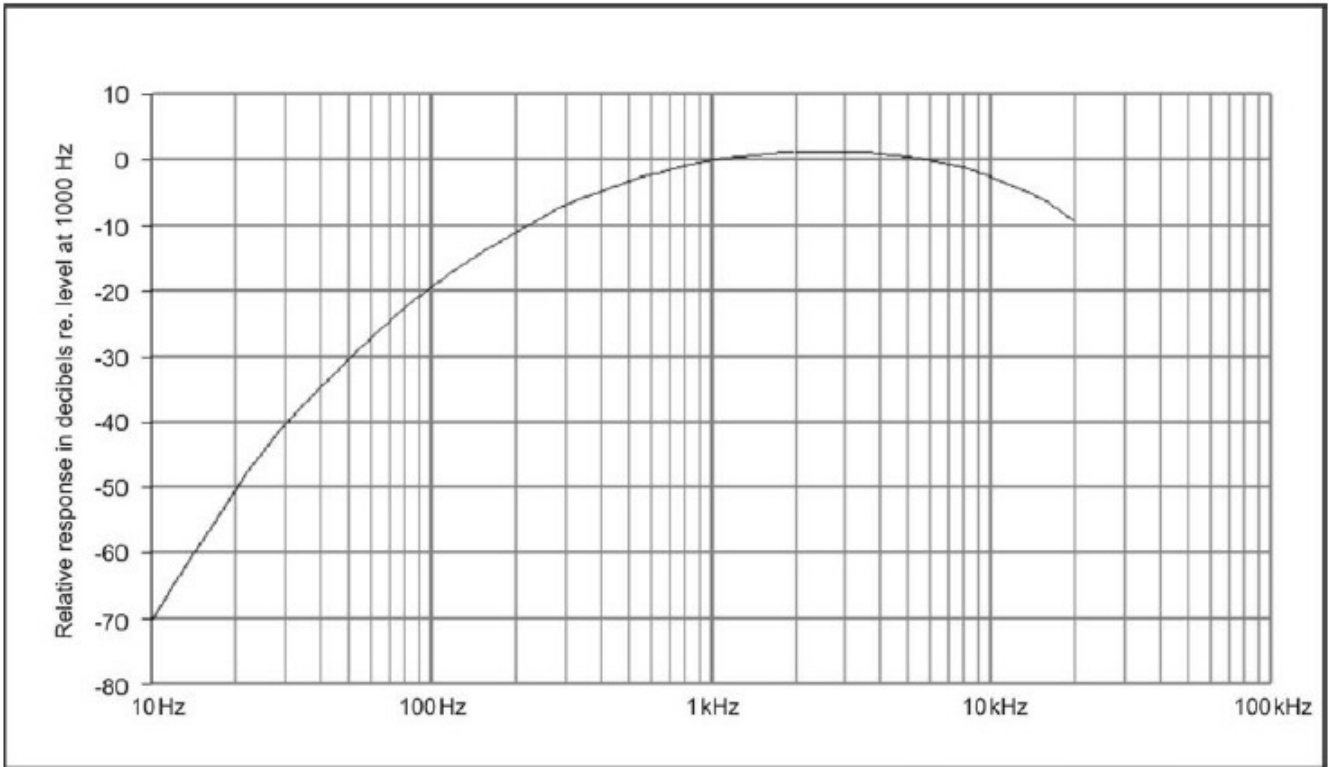
It has an integrated BNC output connector.

The casing is made of stainless steel for maximum strength and durability.

CCP stands for "Constant Current Power" and describes GRAS power supplies that maintain a constant level of current for driving IEPE transducers like this preamplifier which can be used with prepolarized microphone cartridges such as GRAS 40AD, 40AE, 40AO and 40AQ.

Frequency range ( $\pm 0.2$ dB) with 18 pF microphone dummy	Hz	2.5 to 80 k (1 V input)
Slew rate	V/ $\mu$ s	1
Input impedance	G $\Omega$ // pF	20 // 0.4
Output impedance	$\Omega$	< 50
Output Voltage Swing, min. @ 24-28 V CCP voltage supply	Vp	3.5 (20-20 kHz)
Noise (A-Weighted) max.	$\mu$ V	6
Noise (A-Weighted) typ.	$\mu$ V	5
Noise (Linear 20 Hz – 20 kHz) max.	$\mu$ V	8.5
Noise (Linear 20 Hz – 20 kHz) typ.	$\mu$ V	8
High-pass filter @3dB cut-off	Hz	20
Gain	dB	-0.35
Power supply (Constant Current Power)	mA	4 to 20 (typ. 4)
DC bias voltage, typ.	V	15
Temperature range, operation	$^{\circ}$ C / $^{\circ}$ F	-30 to 70 / -22 to 158
Temperature range, storage	$^{\circ}$ C / $^{\circ}$ F	-40 to 85 / -40 to 185
Humidity range non condensing	% RH	0 - 95
Connector type		BNC
CE/RoHS compliant/WEEE registered		Yes / Yes, Yes
Weight	g / oz	30.0 / 1.06

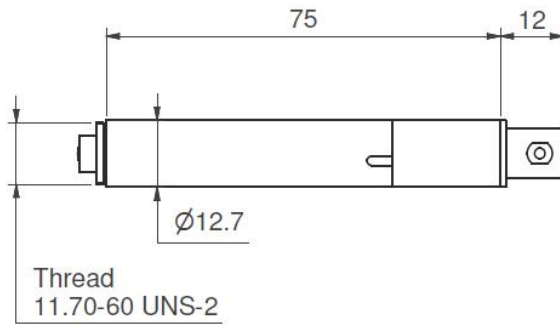
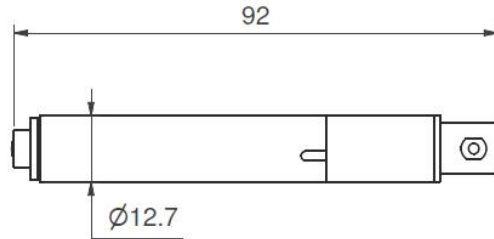
Conditions: 23  $^{\circ}$ C Ambient temperature, 4 mA / 24 V open loop CCP voltage, 18 pF dummy microphone & 3 m coax-cable.



*Frequency response of A-weighting filter (compliant with IEC 61672-1 Class 1)*

GRAS Sound & Vibration reserves the right to change specifications and accessories without notice.

Dimensions in mm



## Optional items

<a href="#">GRAS AA0035</a>	3 m BNC - BNC Cable
<a href="#">GRAS AA0039-CL</a>	Customized Length BNC - BNC Cable
<a href="#">GRAS AL0008</a>	1/2" Microphone Holder, POM
<a href="#">GRAS AL0012</a>	1/2" Microphone Holder, Stainless Steel
<a href="#">GRAS AL0005</a>	Swivel head
<a href="#">GRAS AL0006</a>	Tripod
<a href="#">GRAS RA0019</a>	Adapter for 1/4" microphone and 1/2" preamplifier
<a href="#">GRAS RA0073</a>	Adapter for 1" microphone and 1/2" preamplifier
<a href="#">GRAS RA0190</a>	Right-angled (90°) Adapter for 1/2" Microphone and 1/2" Preamplifier
<a href="#">GRAS RA0018</a>	20 dB Attenuator for prepolarized 1/2" microphones
<a href="#">GRAS RA0062</a>	20 pF Preamplifier-input Adapter for 1/2" preamplifiers
<a href="#">GRAS 12AL</a>	1-Channel CCP Power Module with A-weighting filter
<a href="#">GRAS 12AQ</a>	2-Channel Universal Power Module with signal conditioning and PC interface

GRAS Sound & Vibration reserves the right to change specifications and accessories without notice.

# GRAS Worldwide

Subsidiaries and distributors in more  
than 40 countries

**HEAD OFFICE, DENMARK**  
**GRAS SOUND & VIBRATION**  
Skovlytoften 33  
2840 Holte  
Denmark  
Tel: +45 4566 4046  
[www.gras.dk](http://www.gras.dk)  
[gras@gras.dk](mailto:gras@gras.dk)

**USA**  
**GRAS SOUND & VIBRATION**  
5750 S.W. Arctic Drive  
Beaverton, OR 97005  
Tel: 503-627-0832  
Toll Free: 800-231-7350  
[www.gras.us](http://www.gras.us)  
[sales@gras.us](mailto:sales@gras.us)

**CHINA**  
**GRAS SOUND & VIBRATION**  
Room 303, Building T6  
Hongqiaohui, 990, Shenchang Road  
Minhang District, Shanghai  
China, 201106  
Tel: +86 21 64203370  
[www.gras.com.cn](http://www.gras.com.cn)  
[cnsales@gras.dk](mailto:cnsales@gras.dk)



## ABOUT GRAS SOUND & VIBRATION

GRAS is a worldwide leader in the sound and vibration industry. We develop and manufacture state-of-the-art measurement microphones to industries where acoustic measuring accuracy and repeatability is of utmost importance in R&D, QA and production. This includes applications and solutions for customers within the fields of aerospace, automotive, audiology, and consumer electronics. GRAS microphones are designed to live up to the high quality, durability and accuracy that our customers have come to expect and trust.

**GRAS** Sound  
& Vibration