

GRAS 43BB

Low-noise Ear Simulator
System



Volume: 1260 mm³ @ 500 Hz
Dyn range: 10.5 dB(A) to 113 dB
Based on IEC 60318-4

The 43BB Low-noise Ear Simulator System is for acoustic low noise measurements on insert headphones, especially headphones with active noise cancellation. It is based on the IEC 60318-4 ear simulator standard.

Introduction

The GRAS 43BB is a low-noise, high-sensitive ear simulator system for measurements of sound pressure levels close to or below the threshold of human hearing.

It has a very low noise floor – below 10.5 dB(A) – and can measure sound levels below or close to the threshold of human hearing. For comparison, a standard IEC 60318-4 (711) ear simulator with a GRAS 40AG 1/2" microphone has its noise floor at 24.2 dB(A).

It consists of the well known standardized IEC 60318-4 ear simulator and the GRAS 40HT low-noise microphone system.

Typical applications and use

43BB has been developed to meet the consumer electronics industry's need for R&D testing of headphones, especially in-ear headphones with Active Noise Cancellation. Because it can measure down to and below the threshold of human hearing, it can measure the influence of the electronics on the audio response of the earphones.

The low inherent noise of the system also means that correlation to subjective listening results is very good, and that THD and Rub & buzz at very low levels can be investigated.

43BB can be mounted in a monaural setup inside a KEMAR (45BB and 45BC) or a GRAS 45CA Hearing-Protector Test Fixture. Because of the length of the 26HG 1/4" Preamplifier, it is not possible to use 43BB in a binaural setup inside any GRAS test fixture. For binaural KEMAR setups, GRAS 43BB-1 is available. It is identical to the 43BB except that the preamplifier is mounted via an angled adapter.

To mount the 43BB in a KEMAR, a standard ear canal

extension such as the GRAS RA0237 Straight Ear Canal Extension Kit for KEMAR can be used. If mounted in the GRAS 45CA, a GRAS RA0172 Pinna Holder Kit can be used.

Design

Basically the 43BB consists of a Low-noise Ear Simulator and the 40HT low-noise microphone system. The Low-noise Ear Simulator is identical to the well-known standardized IEC 60318-4 (711) Ear Simulator, but the built-in microphone is the 40AH microphone which has a specially reduced inherent noise floor in order to achieve a large dynamic range. Its diaphragm is specially tuned to yield high sensitivity coupled with low internal-noise generation.

The 40HT Low-noise Microphone System comprises the 40AH 1/2" Ext. Polarized Pressure Microphone, which has a specially reduced inherent noise floor, and the 26HG 1/4" Preamplifier. The 26HG is similar to the GRAS 26AC 1/4" Standard Preamplifier with 3 m integrated cable, but with a 40 G input impedance to enable low-level noise measurements. It has an integrated lightweight cable terminated in a 7-pin LEMO connector that plugs into the 26HT Gain and Filter Unit.

The preamplifier is connected to the ear simulator via the GR0010 Adapter. They are glued in place to ensure that dust and dirt do not jeopardize the low-noise capability of the ear simulator. To complete the system, a special power module is part of the delivery, i.e. the 12HF 1-Channel Power Module for Low-noise Systems.

The acoustic input impedance of the Low-noise Ear Simulator is identical to that of the GRAS RA0045 Ear Simulator according to IEC 60318-4 and, as a result, loads a sound source in very much the same way as a human ear. It embodies a number of

Carefully designed volumes connected via well-defined and precisely tuned resistive grooves. In an equivalent electrical circuit, capacitors would represent the volumes, and inductance and resistance would represent respectively air mass and air flow within the resistive grooves.

The frequency response of the 43BB low-noise ear simulator system is very similar to that of a standard 60318-4 ear simulator below 10 kHz. Above 10 kHz, the differences in the microphone diaphragm impedance results in substantial differences. The standard ear simulator has a high-Q resonance around 13.5 kHz related to the length of the ear canal and the diaphragm impedance. In the low noise version of the ear simulator the single high-Q resonance is replaced by two resonances. A filter unit controls the mechanical resonance of the low noise microphone. The combination of the filter and the low damping of the diaphragm cancels out the high peak of the resonance in the simulator.

Compatibility

43BB must be connected to the 26HT Gain and Filter Unit which amplifies the signal by 20 dB. 26HT must be connected to the 12HF 1-Channel Power Module for Low-noise Systems. The power module provides all necessary voltages for powering the preamplifier and polarizing the microphone.

Service

Should you by mistake damage the diaphragm on a GRAS microphone, we will in most cases be able to exchange it at a very reasonable cost and short turn-around time. This not only protects your investment, but also meets your quality assurance department since you do not have to worry about new serial numbers etc.

Calibration

When leaving the factory, all GRAS ear simulators have been calibrated in a controlled laboratory environment using traceable calibration equipment. Depending on the use, measurement environment and internal quality control programs we recommend that the ear simulator is recalibrated at least once a year.

An individual calibration chart for the ear simulator system is included.

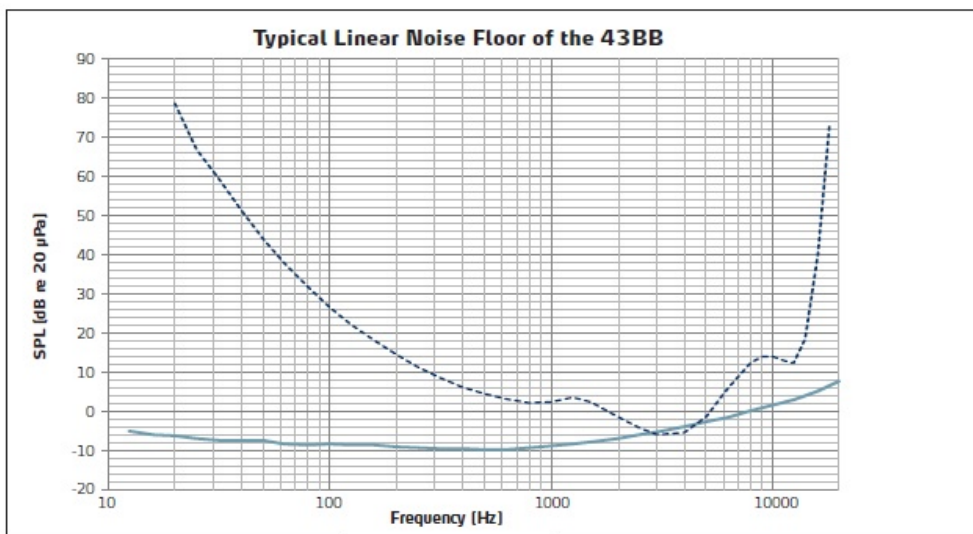
Performance and warranty

GRAS microphones are made of components from our proven standard portfolio and are all manufactured of high-quality material and branded parts that were chosen and processed to ensure life-long stability and robustness.

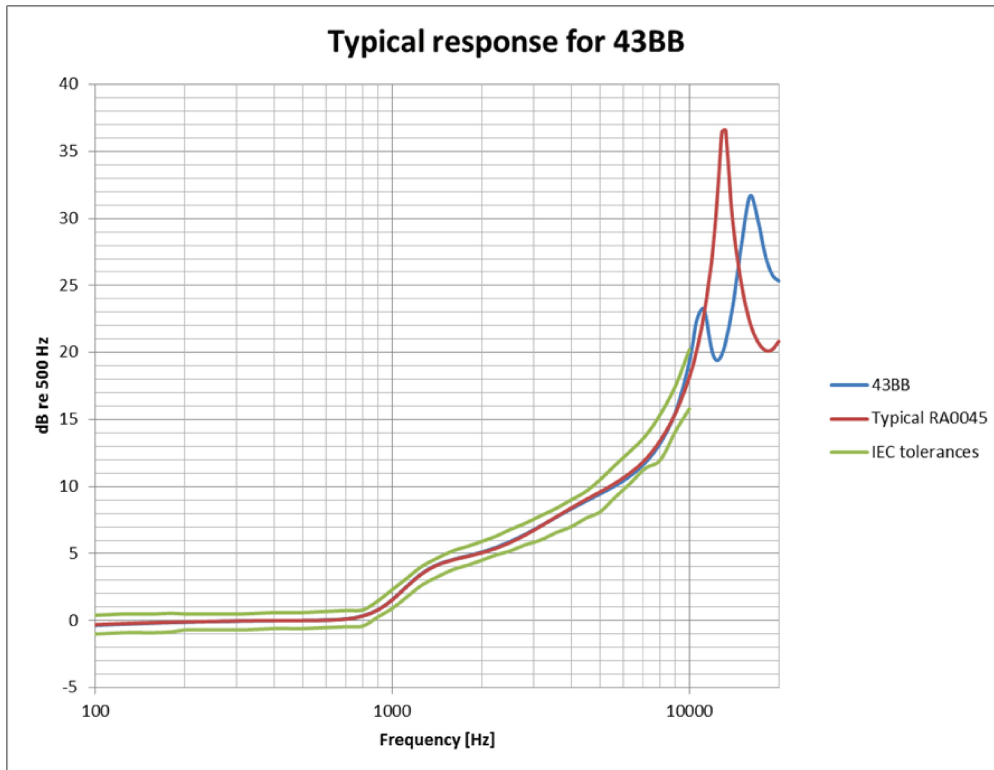
All parts are manufactured and assembled at the factory in Denmark by skilled and dedicated operators in a verified clean-room environment. The microphone diaphragm, body and unique protection grid are made of high-grade stainless steel and make the microphone set resistant to physical damage as well as corrosion caused by aggressive air or gasses.

This, together with the reinforced gold-plated microphone terminal that guarantees a highly reliable connection, enables us to offer 5 years warranty against defective materials and workmanship.

Connector type		3 m 7-pin LEMO
Polarization/Connection		0 V / CCP
Theoretical dynamic range lower limit with GRAS preamplifier	dB(A)	10.5
Theoretical dynamic range upper limit with GRAS preamplifier @ +28 V / ±14 V power supply	dB	113
Coupler volume	mm ³	1260 @ 500 Hz
CE/RoHS compliant/WEEE registered		Yes/Yes/Yes



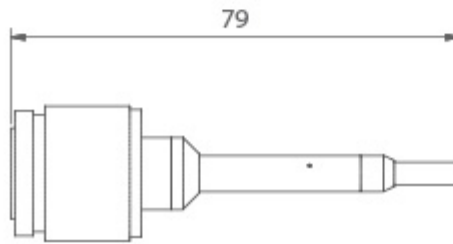
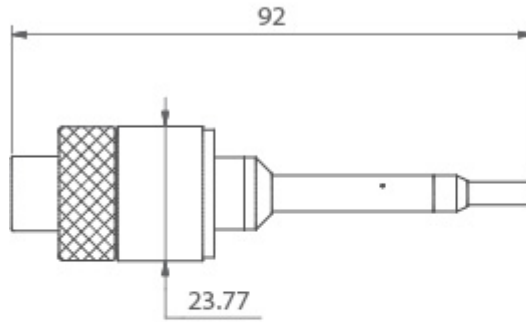
The noise floor (solid line) is typically below the threshold of human hearing (dashed line).



The frequency response is very similar to the standard 60318-4 ear simulator up to 10 kHz

GRAS Sound & Vibration reserves the right to change specifications and accessories without notice.

Dimensions in mm



GS0627
43BB

Included Items

GRAS RA0234	Low-noise Ear Simulator
GRAS 40AH	1/2" Ext. Polarized Pressure Microphone, High Sensitivity
GRAS 26HG	1/4" Preampifier with 3 m Integrated Cable
GRAS 26HT	Gain and Filter Unit for 40HT
GRAS 12HF	1-Channel Power Module for Low-noise Systems

Accessories

GRAS 42AA	Pistonphone, Class 1
GRAS 42AP	Intelligent Pistonphone, Class 0
GRAS RA0090	94 dB Pistonphone Coupler
GRAS RA0237	Straight Ear Canal Extension Kit for KEMAR
GRAS RA0172	Pinna Holder Kit
GRAS AA0046	3 m LEMO 7-pin - LEMO 7-pin Cable for Low-noise measuring system
GRAS AA0047	10 m LEMO 7-pin - LEMO 7-pin Cable for Low-noise measuring system
GRAS AA0053--CL	Customized length LEMO 7-pin - LEMO 7-pin Cable for Low-noise measuring system. CLXXXX= Cable length in centimeters to be specified by customer

GRAS Sound & Vibration reserves the right to change specifications and accessories without notice.

GRAS Worldwide

Subsidiaries and distributors in more
than 40 countries

HEAD OFFICE, DENMARK
GRAS SOUND & VIBRATION
Skovlytoften 33
2840 Holte
Denmark
Tel: +45 4566 4046
www.gras.dk
gras@gras.dk

USA
GRAS SOUND & VIBRATION
5750 S.W. Arctic Drive
Beaverton, OR 97005
Tel: 503-627-0832
Toll Free: 800-231-7350
www.gras.us
sales@gras.us

CHINA
GRAS SOUND & VIBRATION
Room 303, Building T6
Hongqiaohui, 990, Shenchang Road
Minhang District, Shanghai
China, 201106
Tel: +86 21 64203370
www.gras.com.cn
cnsales@gras.dk



ABOUT GRAS SOUND & VIBRATION

GRAS is a worldwide leader in the sound and vibration industry. We develop and manufacture state-of-the-art measurement microphones to industries where acoustic measuring accuracy and repeatability is of utmost importance in R&D, QA and production. This includes applications and solutions for customers within the fields of aerospace, automotive, audiology, and consumer electronics. GRAS microphones are designed to live up to the high quality, durability and accuracy that our customers have come to expect and trust.

GRAS Sound
& Vibration